

RB

ROBOTICS BASE SERIES

750

BENEFITS

- Versatile
- Mobile
- Energy efficient
- Easy integration
- Highly adaptable product design
- Teach pendant protector as standard (for Kuka and Universal Robots)
- Air supply and regulator as standard
- IP64 rated
- Cooling fans supplied



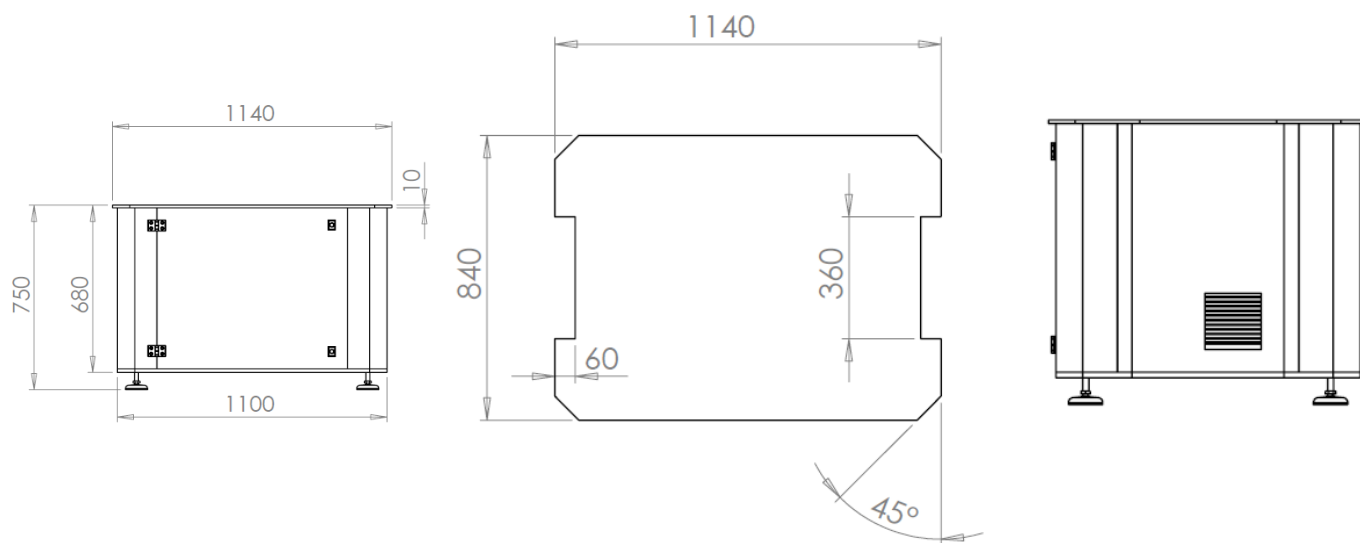
DESCRIPTION

The RB 750 is a robotics base system built by Reeco Automation. The RB 750 is a versatile, mobile solution for human-robot collaborative assembly. The robot base can be brought to the site of operation easily where it is quickly ready for use.

The robot base is designed to be compatible with most HRC robots. You can change the place of the robot unit manually in a short time.

The RB 750 is available in a wide variety of versions and with further options. High durability and an unlimited number of custom opportunities resemble our RB series.

CAD DRAWINGS



SPECIFICATIONS

| | |
|----------------------------|--|
| RB Series type | RB 750 |
| Dimensions | Height: 750mm, Length: 1140mm, Width: 840mm |
| Weight | 238kg |
| Maximum weight capacity | 60kg |
| Robot mounting holes | <ul style="list-style-type: none"> - Kuka LBR iiwa x 4 M10 - DIN 7984 - Universal Robots x 4 M8 - DIN 7984 |
| Power requirement/voltage | 240V |
| Height adjustment for feet | 18mm |
| Optional extras: | <ul style="list-style-type: none"> - Wheels with locking brake - Fork slots for frequent and safe movement - 316 stainless steel construction - Vacuum generation system with quick access to the table top - Associate warning beacons - E1 router for remote access to robot and RB 750 - Remote power socket |